

DVL[®]

Double-wall interior close clearance
stovepipe for connecting
woodstoves to chimney. ULC S641.

DuraBlack[®]

Single-wall interior stovepipe for
connecting woodstoves to chimney.



Specifications

DVL

Applications

Double-wall interior stovepipe for connecting wood stoves to manufactured chimney.

Materials and Construction

.016" stainless steel inner wall.
.018" galvanized outer, painted black.

Clearances

6" clearance to walls. 8" clearance to ceilings, including cathedral ceilings.

Diameters

6"-8"

Listings

c-UL-us listed to ULC S641 (MH14089).



DuraBlack

Applications

Single-wall interior stovepipe for connecting wood stoves to manufactured chimney.

Materials and Construction

DuraBlack: 24-gauge steel construction. Lock-seamed. Painted black.

DuraBlack Welded: 22-gauge steel construction.

DuraBlack Stainless Steel: .020" 430 stainless steel

Diameters

DuraBlack: 6"-10"

DuraBlack Welded: 6"

DuraBlack Stainless Steel: 6" and 8"

Single- and Double-Wall Stovepipe Systems

DVL double-wall or DuraBlack single-wall stovepipe completes the venting system when used with one of DuraVent's chimney products, such as DuraTech, DuraTech Canada, DuraPlus, or DuraTech Premium.

DVL

DVL's double-wall, air-insulated design reduces clearances to combustibles from 18" to 6", the closest clearance to a wall of any connector pipe. DVL improves stove performance by maintaining high flue gas temperatures for a strong, steady draft. Because the inner wall is stainless steel the flue heats up faster, stays hot longer, minimizes the formation of creosote, and has the same life expectancy as the chimney. Adjustable lengths eliminate the need for cutting or crimping.

Required for Manufactured Home installations. See appliance manufacturer's installation instructions.

DuraBlack

For an economical, drip free, single-wall stovepipe, DuraBlack is an excellent choice. Built to DuraVent's high standards, DuraBlack is constructed with die-formed end fittings. Adjustable lengths eliminate the need for cutting and crimping. Available in 24 gauge lock-seam, 22 gauge stainless steel and heavy duty 22 gauge welded seam.



DVL® - Double-Wall Stovepipe

DVL Close Clearance Connector Kit

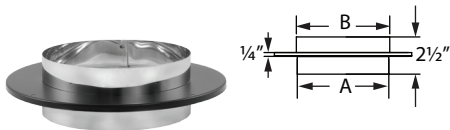


Kit includes: DVL Adapter, (2) 24" DVL Double-Wall Black Pipe, 12" DVL double-wall Adjustable Black Pipe.

Use kit to connect between appliance and chimney for a typical 8' through-the-ceiling installation.

| | |
|---------|-----------|
| SIZE | 6" |
| ORDER # | 6DVL-KVP |
| STOCK # | 810000897 |

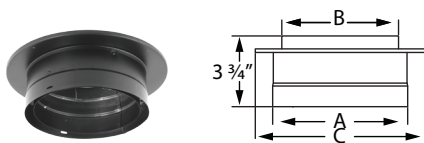
DVL/DuraBlack Chimney Adapter w/ Trim



Use to connect from double-wall DVL and/or single-wall DuraBlack to DuraTech, DuraPlus, DuraTech Premium, and DuraLiner for a through-the-wall or ceiling support installation. Required for proper connection. Made of stainless steel.

| SIZE | 6" | 7" | 8" |
|---------|-----------|-----------|-----------|
| A | 6" | 7" | 8" |
| B | 6 1/8" | 7 1/8" | 8 1/8" |
| ORDER # | 6DVL-ADC | 7DVL-ADC | 8DVL-ADC |
| STOCK # | 810000900 | 810000919 | 810000936 |

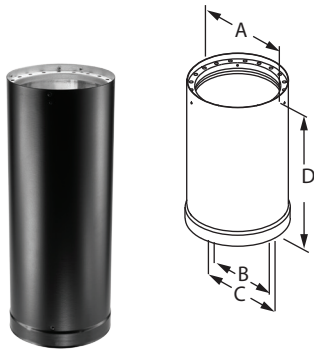
DVL Adapter



Use to connect from double-wall DVL to DuraTech, DuraPlus, DuraTech Premium, and DuraLiner for a through-the-wall or ceiling support installation. Required for proper connection. Provides a strong mechanical connection. Painted black. Adapter will work with all 6"-8" DuraPlus, 6"-8" DuraTech Premium, and 7"-8" DuraTech installations. Adapter will work with 5"-6" DuraTech Ceiling Support Box installations only.

| SIZE | 6" | 7" | 8" |
|---------|-----------|-----------|-----------|
| A | 7 1/8" | 8 1/8" | 9 1/8" |
| B | 6 1/4" | 7 1/4" | 8 1/4" |
| C | 9" | 11" | 11" |
| ORDER # | 6DVL-ADT | 7DVL-ADT | 8DVL-ADT |
| STOCK # | 810000899 | 810000918 | 810000935 |

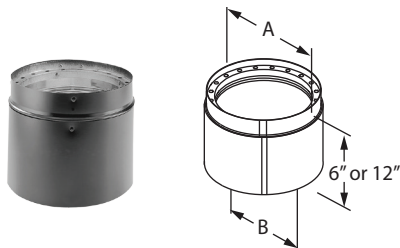
DVL Double-Wall Black Pipe



Designed for installation with minimum clearance to combustibles (6" to walls, 8" from top of horizontal run to ceiling). Available in 6", 7", and 8" diameters. Subtract 3/4" for installed length. Constructed with a stainless steel inner wall.

| SIZE | | 6" | 7" | 8" |
|------------|---------|--------------------------|-----------|-----------|
| A | | 7" | 8" | 9" |
| B | | 6" | 7" | 8" |
| C | | 7 1/8" | 8 1/8" | 9 1/8" |
| D | | 6", 12", 18", 24", & 48" | | |
| 6" LENGTH | ORDER # | 6DVL-06 | 7DVL-06 | 8DVL-06 |
| | STOCK # | 810000901 | 810000920 | 810000937 |
| 12" LENGTH | ORDER # | 6DVL-12 | 7DVL-12 | 8DVL-12 |
| | STOCK # | 810000902 | 810000921 | 810000938 |
| 18" LENGTH | ORDER # | 6DVL-18 | 7DVL-18 | 8DVL-18 |
| | STOCK # | 810000903 | 810000922 | 810000939 |
| 24" LENGTH | ORDER # | 6DVL-24 | 7DVL-24 | 8DVL-24 |
| | STOCK # | 810000904 | 810000923 | 810000940 |
| 48" LENGTH | ORDER # | 6DVL-48 | 7DVL-48 | 8DVL-48 |
| | STOCK # | 810000905 | 810000924 | 810000941 |

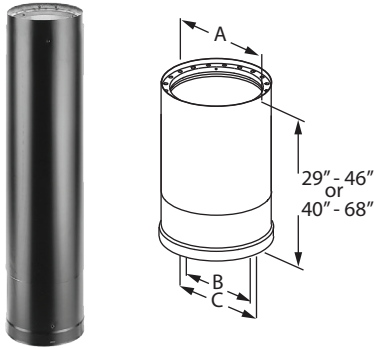
DVL Double-Wall Adjustable Black Pipe



Use to add length to DVL pipe. 6" pipe adds 2"-5" of length, 12" pipe adds 2"-11" of length, when used with rigid sections of pipe. 12" section can be ovalized for oval-to-round appliance connector.

| SIZE | | 6" | 7" | 8" |
|-------------|---------|------------|------------|------------|
| A | | 7" | 8" | 9" |
| B | | 6" | 7" | 8" |
| 6" ORDER # | ORDER # | 6DVL-6ADJ | 7DVL-6ADJ | 8DVL-6ADJ |
| | STOCK # | 810000906 | 810000925 | 810000942 |
| 12" ORDER # | ORDER # | 6DVL-12ADJ | 7DVL-12ADJ | 8DVL-12ADJ |
| | STOCK # | 810000907 | 810000926 | 810000943 |

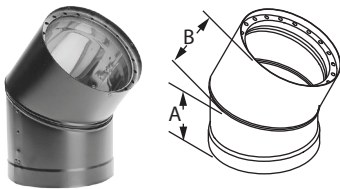
DVL Telescoping Length



Use for a two-piece installation from stove to ceiling support box or finishing collar. Available in 29"- 46" and 40"- 68" extensions. No cutting required.

| SIZE | | 6" | 7" | 8" |
|-----------|---------|-----------|-----------|-----------|
| A | | 7" | 8" | 9" |
| B | | 6" | 7" | 8" |
| C | | 7 1/8" | 8 1/8" | 9 1/8" |
| 29" - 46" | ORDER # | 6DVL-46TA | 7DVL-46TA | 8DVL-46TA |
| | STOCK # | 810000908 | 810000927 | 810000944 |
| 40" - 68" | ORDER # | 6DVL-68TA | 7DVL-68TA | 8DVL-68TA |
| | STOCK # | 810000909 | 810000928 | 810000945 |

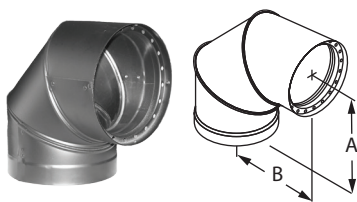
DVL Double-Wall Black 45° Elbow



Offsets obstructions as needed. Elbows angles are adjustable.

| SIZE | 6" | 7" | 8" |
|---------|-----------|-----------|-----------|
| A | 3 1/2" | 4 1/2" | 5 1/2" |
| B | 4 1/4" | 5 3/8" | 5 3/8" |
| ORDER # | 6DVL-E45 | 7DVL-E45 | 8DVL-E45 |
| STOCK # | 810000910 | 810000929 | 810000946 |

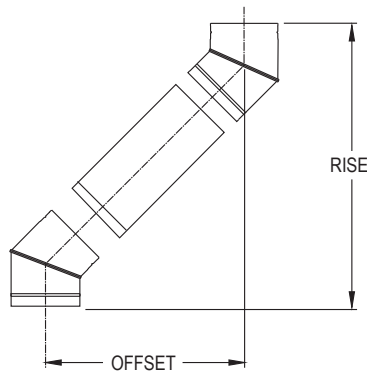
DVL Double-Wall Black 90° Elbow



Offsets obstructions as needed. Elbows angles are adjustable. Not recommended for rear exit appliances.

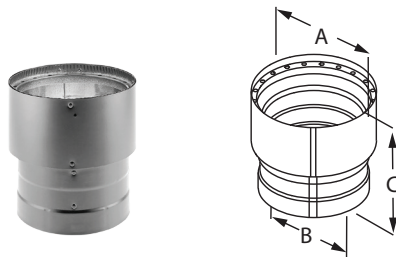
| SIZE | 6" | 7" | 8" |
|---------|-----------|-----------|-----------|
| A | 6" | 7" | 7 1/2" |
| B | 5 3/4" | 6 3/4" | 7 1/4" |
| ORDER # | 6DVL-E90 | 7DVL-E90 | 8DVL-E90 |
| STOCK # | 810000911 | 810000930 | 810000947 |

Offset Chart - DVL



| SIZE | | 6" DIAMETER | | 7" DIAMETER | | 8" DIAMETER | |
|---------------|-----------------|---------------|-------------|---------------|-------------|---------------|-------------|
| Elbow Degrees | Chimney Section | Offset Inches | Rise Inches | Offset Inches | Rise Inches | Offset Inches | Rise Inches |
| 45° | 0" | 5" | 13 3/4" | 7" | 17 1/4" | 7" | 17 1/2" |
| 45° | 6" | 8 3/4" | 16 1/2" | 10 1/2" | 21" | 10 1/2" | 21" |
| 45° | 12" | 13" | 20 3/4" | 14 3/4" | 25 1/4" | 14 3/4" | 25 1/4" |
| 45° | 18" | 17 1/4" | 25" | 19" | 29 1/2" | 19" | 29 1/2" |
| 45° | 24" | 21 1/2" | 39 1/4" | 23 3/4" | 33 3/4" | 23 1/4" | 33 3/4" |
| 45° | 48" | 38 1/2" | 46 1/4" | 40 1/4" | 50 3/4" | 40 1/4" | 50 3/4" |
| 90° | 0" | 10 1/2" | 6" | 13" | 14 1/4" | 13 1/2" | 14 3/4" |
| 90° | 6" | 15 1/4" | 6" | 17 3/4" | 14 1/4" | 18 1/4" | 14 3/4" |
| 90° | 12" | 21 1/4" | 6" | 23 3/4" | 14 1/4" | 24 1/4" | 14 3/4" |
| 90° | 18" | 27 1/4" | 6" | 29 3/4" | 14 1/4" | 30 1/4" | 14 3/4" |
| 90° | 24" | 33 1/4" | 6" | 35 3/4" | 14 1/4" | 36 1/4" | 14 3/4" |
| 90° | 48" | 57 1/4" | 6" | 59 3/4" | 14 1/4" | 60 1/4" | 14 3/4" |

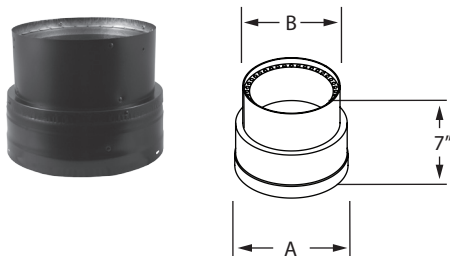
DVL Increaser



Use to increase from a smaller appliance flue outlet to larger diameter chimney or stovepipe.

| SIZE | 5"-6" | 6"-7" | 7"-8" | 6"-8" |
|---------|-----------|-----------|-----------|-----------|
| A | 6" | 7" | 8" | 8" |
| B | 5 1/8" | 6" | 7" | 6" |
| C | 7" | 7" | 7" | 7 3/4" |
| ORDER # | 5DVL-X6 | 6DVL-X7 | 7DVL-X8 | 6DVL-X8 |
| STOCK # | 810000912 | 810000931 | 810000948 | 810000949 |

DVL Decreaser

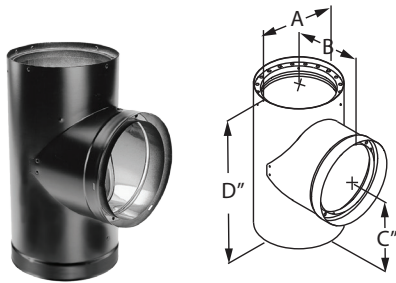


Use to decrease the appliance outlet only when approved by the appliance manufacturer or authority having jurisdiction.

***IMPORTANT:** The diameter of the stovepipe (connector) and chimney should match the outlet size on the appliance. Decreasing chimney diameter even 1" can affect draft and have serious negative impact of chimney performance. Please check the stove manufacturer's venting instructions closely prior to installing a DECREASER. Be careful to use these components only when appropriate.

| SIZE | 7"-6" | 8"-7" |
|---------|-----------|-----------|
| A | 8" | 9" |
| B | 7" | 8" |
| ORDER # | 7DVL-X6 | 8DVL-X7 |
| STOCK # | 810006992 | 810006993 |

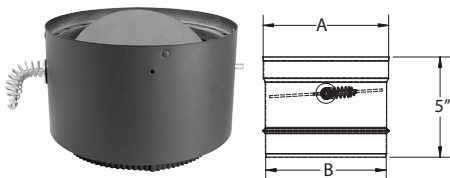
DVL Double-Wall Black Tee w/ Clean-out Cap



Use with rear exit appliances and appliances that require a barometric damper.

| SIZE | 6" | 7" | 8" |
|---------|-----------|-----------|-----------|
| A | 7" | 8" | 9" |
| B | 6" | 7" | 8" |
| C | 5 3/4" | 5 3/4" | 5 3/4" |
| D | 12 3/4" | 13 1/4" | 13 1/2" |
| ORDER # | 6DVL-T | 7DVL-T | 8DVL-T |
| STOCK # | 810000913 | 810000932 | 810000950 |

DVL Adapter/Damper Section



Connects DVL pipe to the appliance flue outlet. Use as a stove adapter. The damper is optional. Stock # with (W/O) has no damper.

| SIZE | 5" | 6" | 7" | 8" |
|-------------|-----------|-----------|-----------|-----------|
| A | 6" | 7" | 8" | 9" |
| B | 4 5/8" | 5 5/8" | 6 1/2" | 7 1/2" |
| ORDER # | -- | 6DVL-ADWD | 7DVL-ADWD | 8DVL-ADWD |
| STOCK # | -- | 810000914 | 810000933 | 810000951 |
| ORDER # W/O | 5DVL-AD | 6DVL-AD | 7DVL-AD | 8DVL-AD |
| STOCK # | 810000898 | 810000915 | 810000934 | 810000952 |

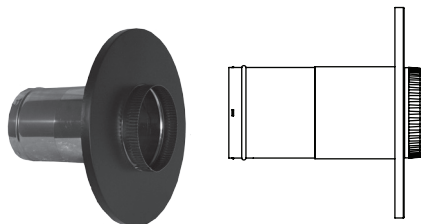
DVL Oval-To-Round Adapter



Use on Vermont Casting appliances with oval flue collars to adapt to round pipe.

| SIZE | 8" OVAL TO 6" ROUND | 8" OVAL TO 8" ROUND |
|---------|---------------------|---------------------|
| ORDER # | 6DVL-ORAD | 8DVL-ORAD |
| STOCK # | 810000916 | 810000953 |

Masonry Thimble w/ Slip Connector



Penetrates masonry chimney for connection of DuraBlack or DVL to DuraLiner. Adapter must be used to attach the connector pipe to the masonry thimble. Pricing for Masonry Thimble with Slip connector listed under DuraLiner.

| SIZE | 6" | 8" |
|---------|-----------|-----------|
| ORDER # | 6DLR-MTSC | 8DLR-MTSC |
| STOCK # | 810000917 | 810000954 |